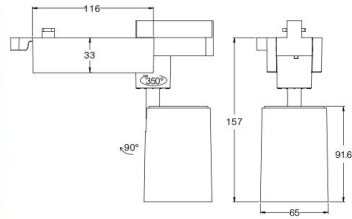


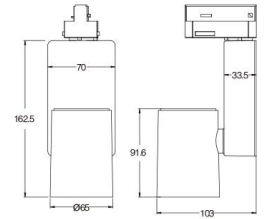
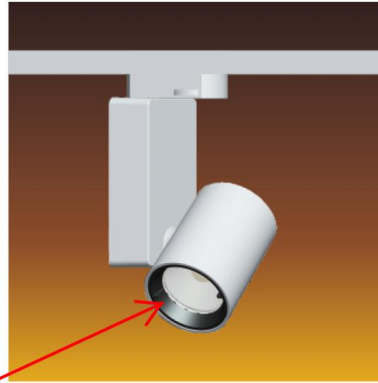
LED TRACK LIGHT SERIES



CGD-R034-1

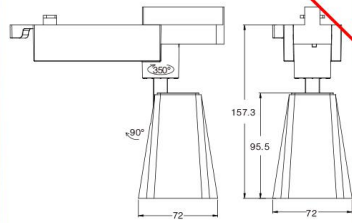


CGD-R034-2

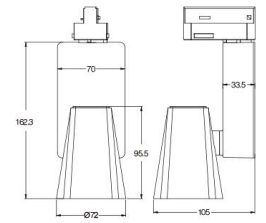
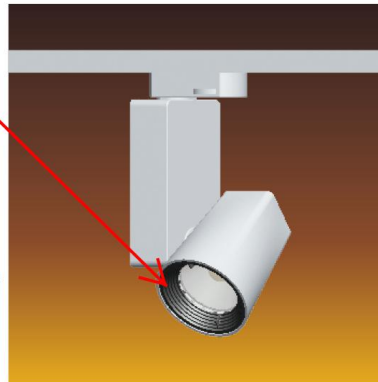


The BLACK Ring can be changed to WHITE

CGD-R038-1



CGD-R038-2



Specifications

Mode		CGD-R034-1/ CGD-R034-2/ CGD-R038-1/ CGD-R038-2					
Input Voltage	Non-Dimmable	AC200-240V 50/60Hz					
LED Current		DC 200mA	DC 300mA	DC 350mA			
Light source		CREE					
Power		9W ± 10%	12W ± 10%	15W ± 10%			
CCT		2700/3000K/4000K/5000K					
Beam Angle		36°					
Operation Temperature		-20°C-+50°C					
Lamp working temperature		≤60°C					
Life Span		50000Hours					
CRI		>80					
Luminous Flux	2700 K	36°	725 lm ± 5%	36°	880 lm ± 5%	36°	1056 lm ± 5%
	3000 K		742 lm ± 5%		897 lm ± 5%		1076 lm ± 5%
	4000 K		752 lm ± 5%		953 lm ± 5%		1144 lm ± 5%
	5000 K		696 lm ± 5%		849 lm ± 5%		1019 lm ± 5%
Imax	2700 K	36°	1499 cd ± 5%	36°	1717 cd ± 5%	36°	2060 cd ± 5%
	3000 K		1387 cd ± 5%		1688 cd ± 5%		2026 cd ± 5%
	4000 K		1497 cd ± 5%		1821 cd ± 5%		2185 cd ± 5%
	5000 K		1426 cd ± 5%		1661 cd ± 5%		1993 cd ± 5%
Surface Color		White					

Lumens data depends on LED brand, beam angle All information is subject to our final confirmation.
Welcome to contact us and ask for IES files.