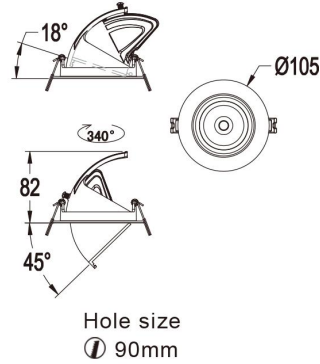


CGD-LD359-1



Specifications

Mode		CGD-LD359-1						
Input Voltage	Non-Dimmable	AC200-240V 50/60Hz						
LED Current		DC 350mA						
Light source		CREE						
Power		15W ± 10%						
CCT		2700/3000K/4000K/5000K						
Beam Angle		16°/24°/36°						
Operation Temperature		-20°C-+50°C						
Lamp working temperature		≤60°C						
Life Span		50000Hours						
CRI		>80						
Luminous Flux	2700K	15W	16°	1559 lm ± 5%	24°	1172 lm ± 5%	36°	2060 lm ± 5%
	3000K			1232 lm ± 5%		1244 lm ± 5%		1216 lm ± 5%
	4000K			1299 lm ± 5%		1291 lm ± 5%		1256 lm ± 5%
	5000K			1155 lm ± 5%		1230 lm ± 5%		1192 lm ± 5%
Imax	2700K	15W	16°	7286 cd ± 5%	24°	4034 cd ± 5%	36°	1897 cd ± 5%
	3000K			8004 cd ± 5%		4439 cd ± 5%		2064 cd ± 5%
	4000K			8366 cd ± 5%		4523 cd ± 5%		2110 cd ± 5%
	5000K			7324 cd ± 5%		4348 cd ± 5%		1991 cd ± 5%
Surface Color		White						